

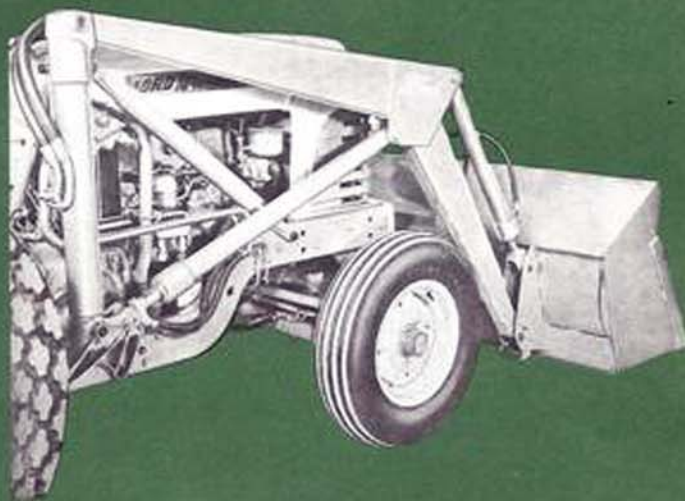


*INDUSTRIAL*

**Super Duty**  
**INDUSTRIAL LOADER**

Series 712

**PARTS BOOK**



**SEPTEMBER, 1958**

TRACTOR AND IMPLEMENT DIVISION

*Ford Motor Company*

2500 East Maple Road, Birmingham, Michigan

L  
O  
A  
D  
E  
R

# Super Duty Loader

## MODEL INDEX

<u>Model No.</u>	<u>Description</u>	<u>Model No.</u>
19-131	Ford Super Duty Industrial Loader ) Series Option	
19-132	Ford Tread Width Bracket, 5/8 Yard ) 712-1	
19-131	Ford Super Duty Industrial Loader) Series Option	
19-133	Ford Tread Width Bucket, 3/4 Yard) 712-2	
19-134	Ford Tread Width Bucket, 1 Yard . . . . .	5-1
19-135	Bucket, Manure Fork Type . . . . .	5-1
19-136	Crane, Industrial Loader . . . . .	5-1
19-139	Blade, Universal Dozer, 6Ft . . . . .	5-1
19-140	Blade, Universal Dozer, 7Ft . . . . .	5-1
19-141	Bracket, Dozer Blade Mounting . . . . .	5-1
108396	Kit, Top Extension, 7Ft Dozer Blade . . . . .	5-1
195872	Kit, Top Extension, 6Ft Dozer Blade . . . . .	5-1

### EXTRA EQUIPMENT

190033	Kit, Skid Shoe . . . . .	5-1
19-137	Angle Adapter, Dozer Blade . . . . .	5-1
19-138	Spring Release, Dozer Blade . . . . .	5-1
19-143	Industrial Tractor Counterweight Box	
19-144	Kit, Rear Counterweight Box Attaching	
19-145	Kit, Front Counterweight Box Attaching	



**Full Loader Capacity**

**7 Gallons**

**M-2C-41 Ford Hydraulic Oil**

# Super Duty Loader

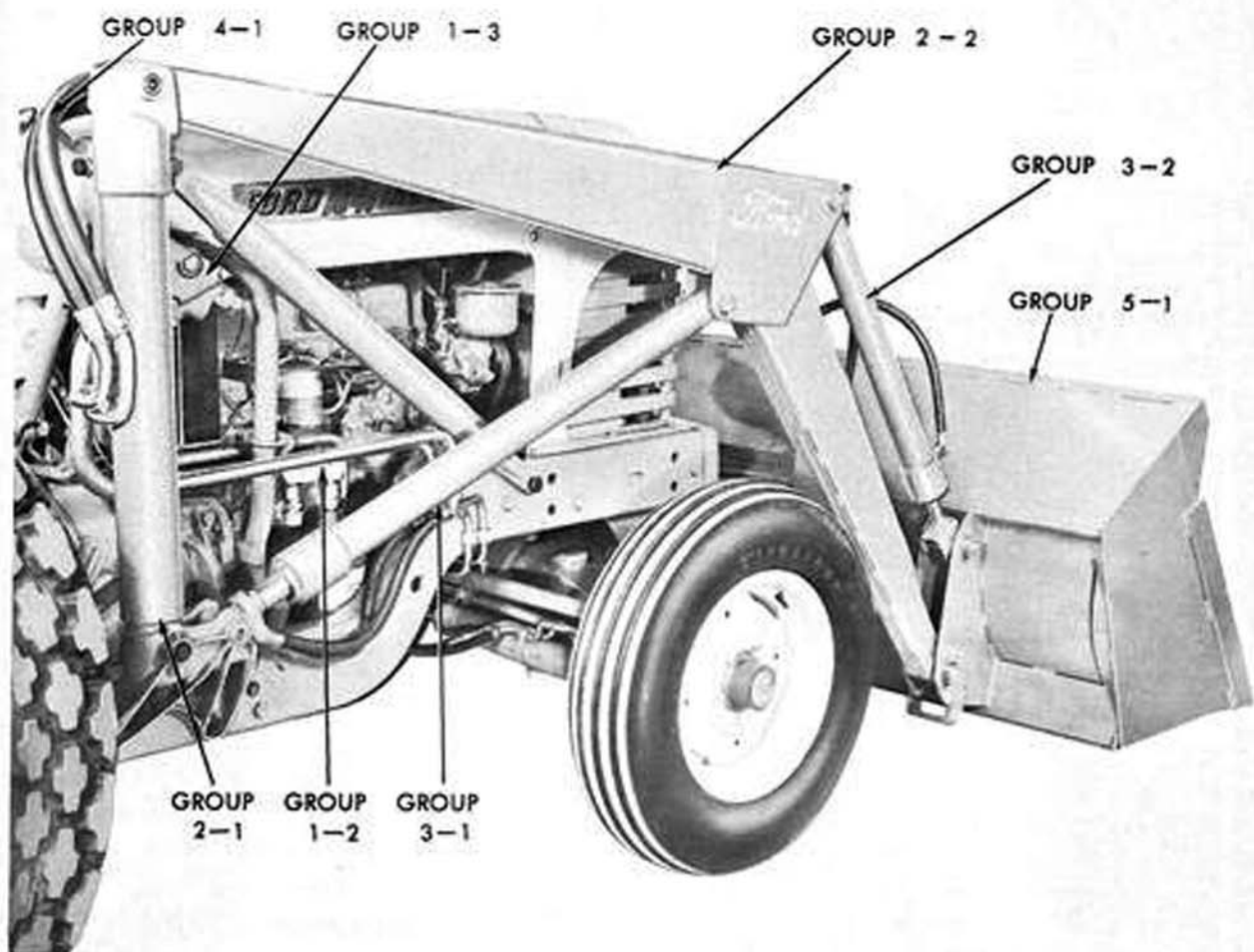


Figure A - Ford Super Duty Industrial Loader

# Super Duty Loader

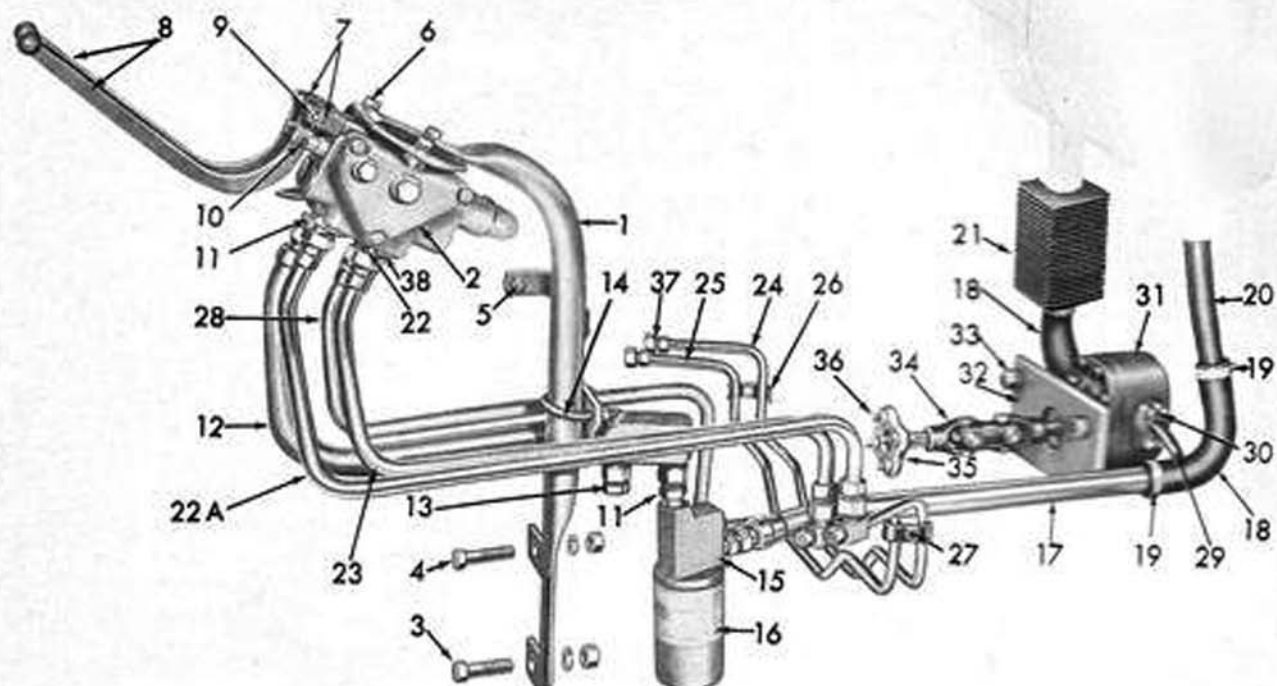


Figure 1 - R.P.O. Loader Hydraulic Package

FIG.	PART NO.	NAME AND DESCRIPTION	QTY. REQ.
1		<b>GROUP 1-1 INDUSTRIAL TRACTOR LOADER INSTALLATION</b>	
		The following parts are installed on the Industrial Tractor as a Regular Production Option for use with the Ford Super Duty Industrial Tractor, Series 1801.	
1	*108409	SUPPORT, Valve (Welded Assembly)	1
2	*108408	VALVE, Loader Control	1
3		45798-S BOLT, 3/4 - 10 x 2-1/2 Hex Hd)	
-		34813-S7 LOCKWASHER, 3/4 ) Support to Transmission	1
-		34674-S8 NUT, 3/4 - 10 Hex )	
4		45796-S8 BOLT, 5/8 - 11 x 2-1/2 Hex Hd)	
-		34811-S7 LOCKWASHER, 5/8 ) Support to	
-		33849-S8 NUT, 5/8 - 11 Hex ) Transmission	1
5		20408-S8 BOLT, 3/8 - 16 x 1-1/8 Hex Hd - Support to Cyl. Head	1
6		20392-S8 BOLT, 1/2 - 13 x 1.00 Hex Hd)	
-		34809-S7 LOCKWASHER, 1/2 ) Support to Valve . .	3
7	*108412	PIVOT, Control Valve Handle	2
8	*108420	LEVER, Control Valve Operating	2
-	302209-S8	SCREW, Cap, 5/16 - 18 x .87 Socket Hd)	
-		34806-S7 LOCKWASHER, 5/16 ) Pivot to Valve . .	2
9	*108418	PIN, 5/16 x 4 Str. Drilled )	1
-		44722-S8 WASHER, 5/16 Flat ) Lever to Pivot . . . . .	2
-		72016-S8 COTTER PIN, 3/32 x 3/4)	2
10	*76006-S8	PIN, 5/16 x 7/8 Clevis ) Lever to Spool	2
--		72016-S8 COTTER PIN, 3/32 x 3/4 )	2
		* New Items	



# Super Duty Loader

FIG. 1	PART NO.	NAME AND DESCRIPTION	QTY. REQ.
<u>GROUP 1-1 INDUSTRIAL TRACTOR LOADER INSTALLATION (Cont'd)</u>			
11	*108401	ADAPTER, 1-3/16 - 12 x 3/4 Pipe, Straight Male . . . . .	3
--		87037-S91 "O" RING . . . . .	1
12	*108421	TUBE ASSEMBLY, Valve to Filter . . . . .	1
13	*108417	PLUG, Tube, 1-3/16 - 12 . . . . .	1
14	*108425	"U" BOLT, 3/8 - 16 )	1
--		34807-S7 LOCKWASHER, 3/8 ) Tube to Support	2
--		33799-S8 NUT, 3/8 - 16 Hex)	2
15	107697	ADAPTER ASSEMBLY, Filter . . . . .	1
--	107393	NIPPLE, 1 - 12 Pipe - Adapter to Filter . . . . .	1
16	107294	FILTER, Oil . . . . .	1
17	*108399	TUBE, Filter to Reservoir . . . . .	1
18	*108404	HOSE, Elbow, 1.5 ID . . . . .	2
19	107325	CLAMP ASSEMBLY, Hose . . . . .	4
20	*108400	TUBE, Reservoir, 1-1/2 OD . . . . .	1
21	*312777	ELEMENT, Cooling . . . . .	1
22	*108201	CONNECTOR, 7/8 - 1/4 x 1-3/16 - 12 Valve to Filter & Pump Tbs	2
--	372219-S91	"O" RING, .755 x .097 Valve to Filter & Pump Tubes . . . . .	2
--	372229-S91	"O" RING, .924 x .116 Connector, Valve to Lift Cylinder . . . . .	2
--	*108203	CONNECTOR, 1-3/16 - 12 x 1-1/16 - 12 Valve to Lift Cylinder	2
22A	*108083	TUBE, Valve to Lift Cylinder - Extending, Valve Side . . . . .	1
23	*108084	TUBE, Valve to Lift Cylinder Retracting, Valve Side . . . . .	1
24	*108141	TUBE, Lift Cylinder Extending Cylinder Side . . . . .	1
25	*108165	TUBE, Lift Cylinder Retracting, Cylinder Side . . . . .	1
26	102983	CLAMP, Tube . . . . .	2
27		20506-S8 BOLT, 3/8 - 16 x 1.75 Hex Hd)	
--		34807-S8 LOCKWASHER, 3/8 ) Tubes to Tractor . . . . .	2
--		33799-S8 NUT, 3/8 - 16 Hex )	
28	*108422	TUBE, Valve to Pump, Valve Side . . . . .	1
29	*114120	TUBE, Valve to Pump, Pump Side . . . . .	1
--	87053-S91	87040-S91 "O" RING, 1. x .139 Outlet Side . . . . .	1
30	*114119	CLAMP HALF, Split Flange . . . . .	2
--		20507-S8 BOLT, 3/8 - 16 x 1-3/4 Hex Hd) Clamps	4
--		34807-S8 LOCKWASHER, 3/8 )	4
--	*108406	GASKET, Flange . . . . .	1
--	*108402	FLANGE, Pump Inlet . . . . .	1
--		20430-S8 BOLT, 7/16 - 14 x 1.25 Hex) Flange to Pump . . . . .	4
--		34808-S7 LOCKWASHER, 7/16 )	4
31	*108385	PUMP ASSEMBLY, Hydraulic . . . . .	1
32	*108398	PLATE, Pump Mounting . . . . .	1
--		88392-S8 STUD, 3/8 - 16 - 24 x 1.50)	
--		34807-S7 LOCKWASHER, 3/8 ) Pump to Mounting Plate	6
--		33800-S8 NUT, 3/8 - 24 Hex )	
33		34813-S7 LOCKWASHER, 3/4 ) Plate to Axle Support . . . . .	4
--		354463-S34 NUT, 3/4 - 16 Hex )	
34	*108450	SHAFT ASSEMBLY, Pump Drive . . . . .	1
--	300138-S8	SET SCREW, 3/8 - 16 x .38 Headless - Shaft to Pump . . . . .	2
35	108416	HUB ASSEMBLY, Pump Drive . . . . .	1
36		20508-S BOLT, 7/16 - 14 x 1.75 Hex Hd) Hub to	
--		34808-S7 LOCKWASHER, 7/16 ) Crankshaft Pulley	4
37	313288	CAP, 7/8 - 14 Tube End - Used when lines are not connected . . . . .	4
38	107221	PLUG, 7/8 - 14 - Used when lines are not connected . . . . .	2
--		87037-S91 "O" RING, Used when lines are not connected . . . . .	2

\* New Items

# Super Duty Loader

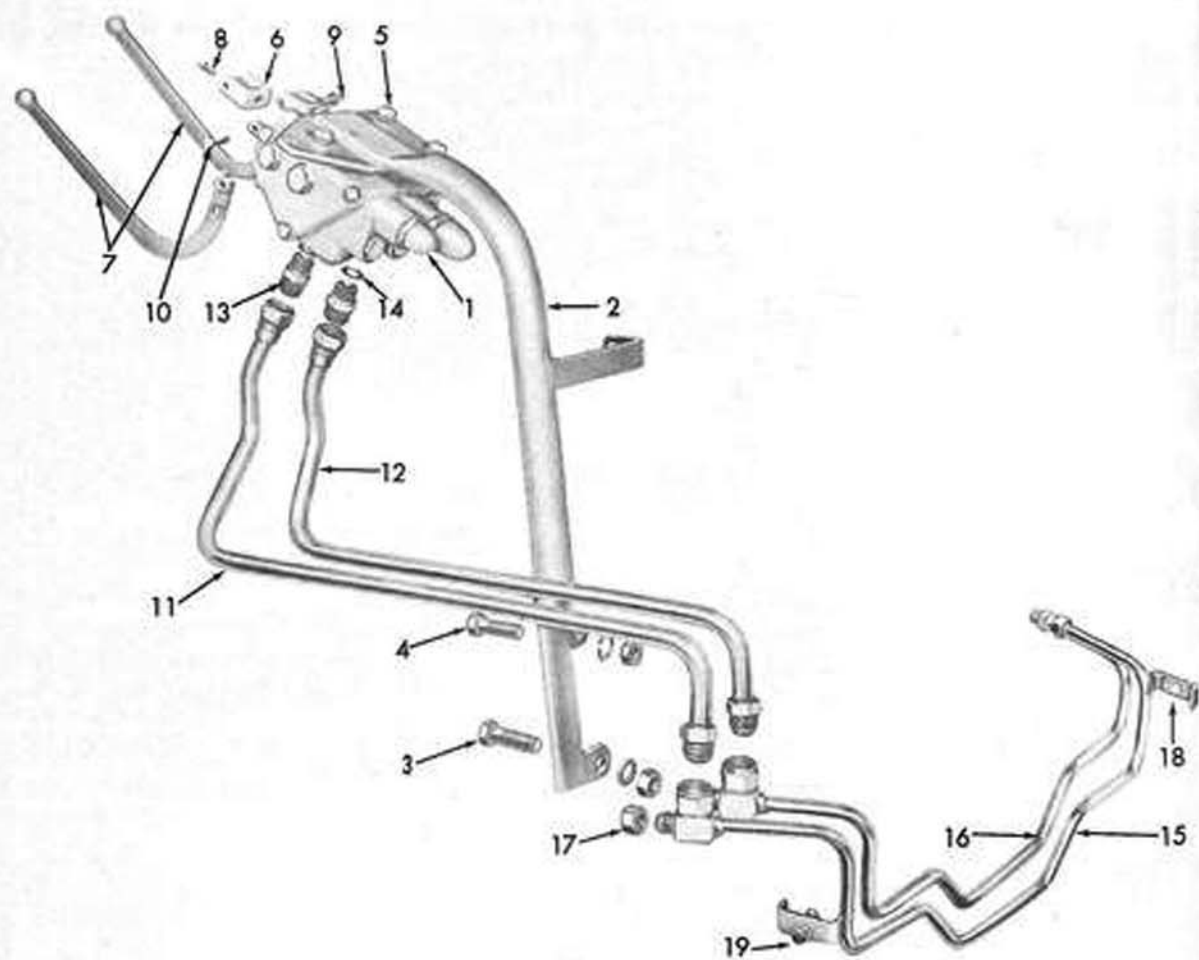


Figure 2 - Valve & Lift Cylinder Tube Parts

FIG. 2	PART NO.	NAME AND DESCRIPTION	QTY. REQ.
		<u>GROUP 1-2 VALVE &amp; LIFT CYLINDER TUBE PARTS.</u>	
1	108408	VALVE, Loader Control . . . . .	1
2	108409	SUPPORT, Valve . . . . .	1
3		45798-S BOLT, 3/4 - 10 x 2-1/2 Hex Hd)	
-		34813-S7 LOCKWASHER, 3/4	
-		34674-S8 NUT, 3/4 - 10 Hex	
		)Support to Transmission	1
4		45796-S8 BOLT, 5/8 - 11 x 2-1/2 Hex Hd)	
-		34811-S7 LOCKWASHER, 5/8	
-		33849-S8 NUT, 5/8 - 11 Hex	
		) Support to Transmission	1
-		20408-S8 BOLT, 3/8 - 16 x 1-1/8 Hex Hd - Support to Cyl.Head	1
5		20392-S8 BOLT, 1/2 - 13 x 1.00 Hex Hd)	
-		34809-S7 LOCKWASHER, 1/2	
		)Support to Valve	3
			3

# Super Duty Loader

FIG. 2	PART NO.	NAME AND DESCRIPTION	QTY. REQ.
<u>GROUP 1-2 VALVE &amp; LIFT CYLINDER TUBE PARTS (Cont'd)</u>			
6	108412	PIVOT, Control Valve Handle . . . . .	2
7	108420	LEVER, Control Valve Operating . . . . .	2
8	302209-S8	SCREW, Cap, 5/16 - 18 x .87 Soc Hd) . . . . .	2
-		34806-S7 LOCKWASHER, 5/16 ) Pivot to Valve	2
9	108418	PIN, 5/16 x 1/4 Straight, Drilled) . . . . .	1
-		44722-S8 WASHER, 5/16 Flat ) Lever to Pivot	2
-		72016-S8 COTTER PIN, 3/32 x 3/4) . . . . .	2
10		76006-S8 PIN, 5/16 x 7/8 Clevis ) . . . . .	2
--		72016-S COTTER PIN, 3/32 x 3/4 ) Lever to Spool	2
11	108083	TUBE, Valve to Lift Cylinder Extending, Valve Side . . . . .	1
12	108084	TUBE, Valve to Lift Cylinder Retracting Cylinder Side . . . . .	1
13	108203	CONNECTOR, 1-3/16 - 12 x 1-1/16 - 12 Valve to Lift Cylinder	2
14	372229-S91	"O" RING, .924 x .116 Connector . . . . .	2
15	108141	TUBE, Lift Cylinder Extending, Cylinder Side . . . . .	1
16	108165	TUBE, Lift Cylinder Retracting, Cylinder Side . . . . .	1
17	313288	CAP, 7/8 - 1 1/4 Tube End, Used when lines are not connected .	4
18	102983	CLAMP, Tube . . . . .	2
19		20508-S8 BOLT, 3/8 - 16 x 1.75 Hex Hd) . . . . .	2
--		34807-S8 LOCKWASHER, 3/8 ) Tube to Tractor	2
--		33799-S8 NUT, 3/8 - 16 Hex )	2

# Super Duty Loader

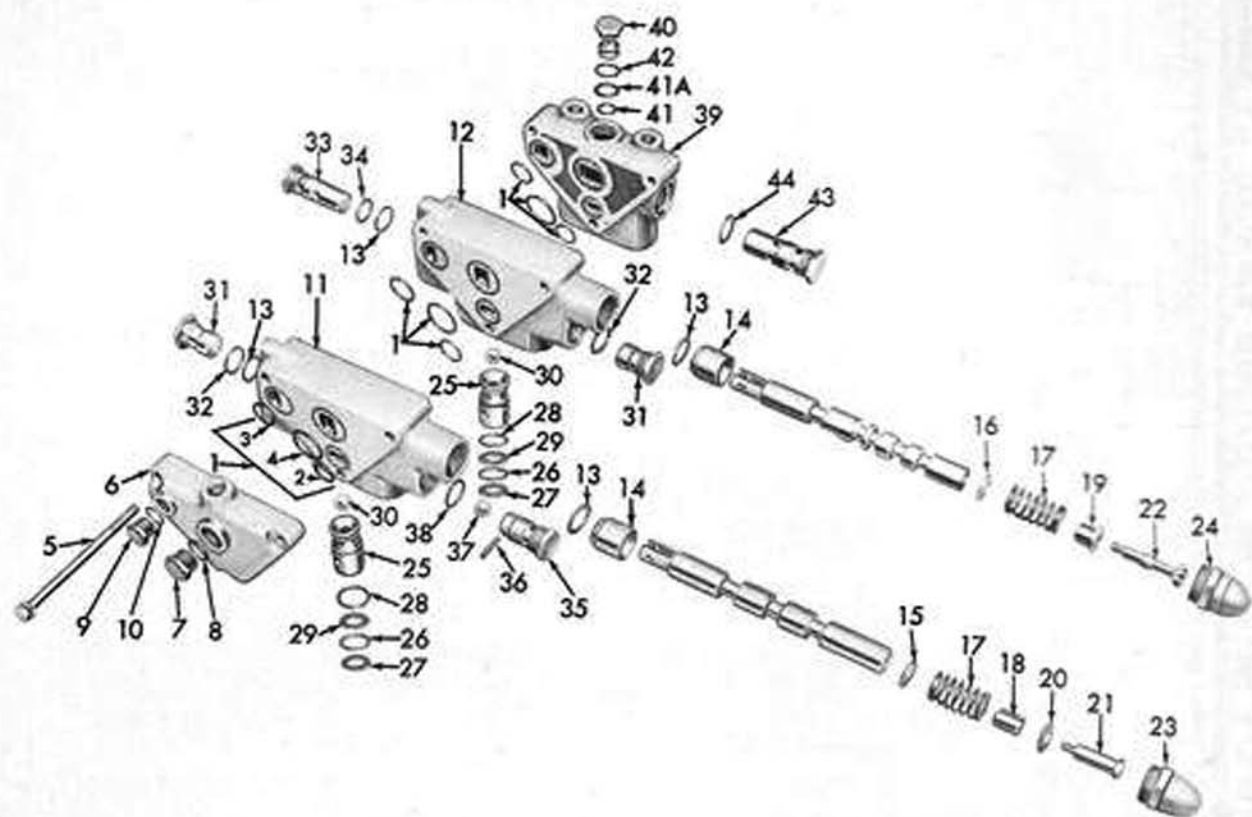


Figure 3 - Control Valve

FIG.	PART NO.	NAME AND DESCRIPTION	QTY. REQ.
3			
		<u>GROUP 1-3 VALVE ASSEMBLY</u>	
-	108408	VALVE, Loader Control . . . . .	1
		Consists of Castings and Spools which are not serviced separately plus items listed below:	
1	108577	KIT, "O" Ring, Section Assembly . . . . .	3
		Consists of:	
2		"O" RING, .864 x .070)	1
3		"O" RING, 1.14 x .070) Not Serviced Separately	1
4		"O" RING, 1.36 x .070)	1
5	108578	BOLT, 3/8 - 16 x 5-1/4 Special)	3
-		34807-S LOCKWASHER, 3/8 ) Sections	3
6	108573	PLATE, End . . . . .	1
7	108574	PLUG, 1-1/16 - 12 End Plate . . . . .	1
8	372229-S91	"O" RING, Plug, .924 x .116 . . . . .	1
9	108582	PLUG, 7/8 - 1 1/4 End Plate . . . . .	1
10	372219-S91	"O" RING, .755 x .097 - Plug . . . . .	1



# Super Duty Loader

FIG. 3	PART NO.	NAME AND DESCRIPTION	QTY. REQ.	
			108703	108702
<u>GROUP 1-3 VALVE ASSEMBLY (Cont'd)</u>				
11	108703	VALVE ASSEMBLY, 4 Way . . . . .	1	
12	108702	VALVE ASSEMBLY, 4 Way . . . . .		1
		Consists of Valve & Spool which are not serviced plus items listed below:		
13		87039-S91 "O" RING, .862 x .103 . . . . .	2	2
--	113957	WASHER, Leather Back-up . . . . .	2	2
14	108579	BUSHING, Body . . . . .	1	1
15	108586	WASHER, 1-1/16 Flat, Special . . . . .	1	
16	108587	WASHER, 1-1/16 Flat, Special . . . . .		1
17	108576	SPRING, Centering . . . . .	1	1
18	108566	SLEEVE, Spool . . . . .	1	
19	108565	WASHER, Spool Spring . . . . .		1
20	108585	WASHER, 5/16 Flat Special . . . . .	1	
21	108580	SCREW, Spool Spring . . . . .	1	
22	108567	SCREW, Spool Spring . . . . .		1
23	108563	CAP, Spool . . . . .	1	
24	108568	CAP, Spool . . . . .		1
25	108572	BODY, Lift Check . . . . .	1	1
26		87039-S91 "O" RING, .862 x .103 . . . . .	1	1
27	113953	WASHER, Leather . . . . .	1	1
28		87023-S91 "O" RING, .926 x .070 . . . . .	1	1
29	113954	WASHER, Leather . . . . .	1	1
30	370509	BALL, Nylon, 5/8 . . . . .	1	1
31	108581	PLUG, Body . . . . .	1	1
32		87039-S91 "O" RING, .862 x .103 . . . . .	1	1
33	108570	VALVE ASSEMBLY, Relief . . . . .		1
34		87039-S91 "O" RING, .862 x .103 . . . . .		1
35	108564	VALVE ASSEMBLY, Control Check . . . . .	1	
		Consists of Body plus:		
36	305065	PIN, 5/32 x 7/8 Roll . . . . .	1	
37	195843	BALL, 9/16 Nylon . . . . .	1	
38		87039-S91 "O" RING, .862 x .103 . . . . .	1	
39	108575	PLATE, End . . . . .		1
40	111206	PLUG ASSEMBLY, End Plate . . . . .		1
		Consists of Plug plus:		
41		87034-S91 "O" RING, 9/16 x 3/32 . . . . .		1
41A	113956	WASHER, Backup, 9/16 x 3/32 . . . . .		1
42		87037-S91 "O" RING, 3/4 x 3/32 . . . . .		1
43	108569	VALVE ASSEMBLY, Relief . . . . .		1
44		87039-S91 "O" RING, .862 x .103 . . . . .		1

# Super Duty Loader

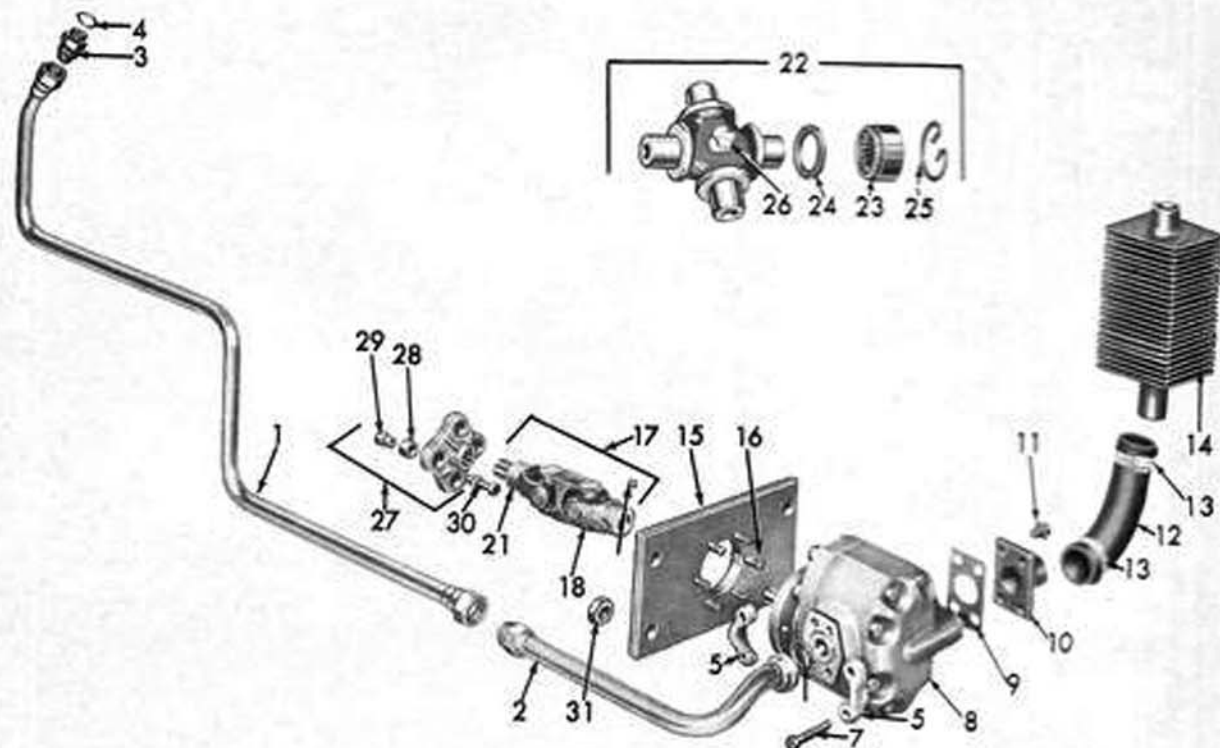


Figure 4 - Pump Line Parts

FIG. 4	PART NO.	NAME AND DESCRIPTION	QTY. REQ.
<u>GROUP 1-4 PUMP LINE PARTS</u>			
1	108422	TUBE, Valve to Pump, Valve Side . . . . .	1
2	114120	TUBE, Valve to Pump, Pump Side . . . . .	1
3	108201	CONNECTOR, 1-3/16 - 12 x 7/8 - 1 1/4, Tube to Valve . . . . .	1
4	372219-S91	"O" RING, .755 x .097 . . . . .	1
5	114119	CLAMP HALF, Split Flange . . . . .	2
6		87040-S91 "O" RING, .937 x .103 Outlet . . . . .	1
7		20507-S8 BOLT, 3/8 - 16 x 1.75 Hex Hd } Flange to Pump	4
-		34807-S8 LOCKWASHER, 3/8 } Flange to Pump	4
8	108385	PUMP ASSEMBLY, Hydraulic . . . . .	1
9	108406	GASKET, Flange . . . . .	1
10	108402	FLANGE, Pump Inlet . . . . .	1
11		20430-S8 BOLT, 7/16 - 1 1/4 x 1.25 Hex } Flange to Pump	4
--		34808-S7 LOCKWASHER, 7/16 } Flange to Pump	4

# Super Duty Loader

FIG. 4	PART NO.	NAME AND DESCRIPTION	QTY. REQ.
<u>GROUP 1-4 PUMP LINE PARTS (Cont'd)</u>			
12	108404	HOSE, Elbow, 1.5 ID . . . . .	1
13	107325	CLAMP ASSEMBLY, Hose . . . . .	1
14	312777	ELEMENT, Cooling . . . . .	1
15	108398	PLATE, Pump Mounting . . . . .	1
16		88392-S8 STUD, Screw, 3/8 - 16 - 2 1/2 x 1.50)	6
--		34807-S LOCKWASHER, 3/8 ) Pump to Plate	6
--		33800-S8 NUT, 3/8 - 2 1/2 Hex )	6
17	108450	SHAFT ASSEMBLY, Pump Drive . . . . .	1
		Consists of Center Yoke plus:	
18	108449	YOKE, Pump Side . . . . .	1
19	300138-S8	SET SCREW, 3/8 - 16 x .38 Soc Headless - Shaft . . . . .	2
21	108448	YOKE, Tractor Side . . . . .	1
22	171333	KIT, Universal Joint Repair . . . . .	2
		Consists of Center Cross plus:	
23	171329	CUP ASSEMBLY, Needle . . . . .	1
24	171327	SEAL, Cup . . . . .	1
25	171326	RING, Snap . . . . .	1
26		87914-S FITTING, Lube, 1/8 - 27 x 29/32, 67-1/2°	1
27	108416	HUB ASSEMBLY, Pump Drive . . . . .	1
		Consists of Hub plus:	
28	194343	BLOCK, Rubber . . . . .	4
29	108419	BUSHING, Block . . . . .	4
30		20508-S BOLT, 7/16 - 1 1/2 x 1.75 Hex Hd)	4
--		34808-S7 LOCKWASHER, 7/16 ) Hub to Tractor Pulley	4
31	354463-S34	NUT, 3/4 - 16 Hex )	4
--		34813-S7 LOCKWASHER, 3/4) Plate to Tractor . . . . .	4

# Super Duty Loader

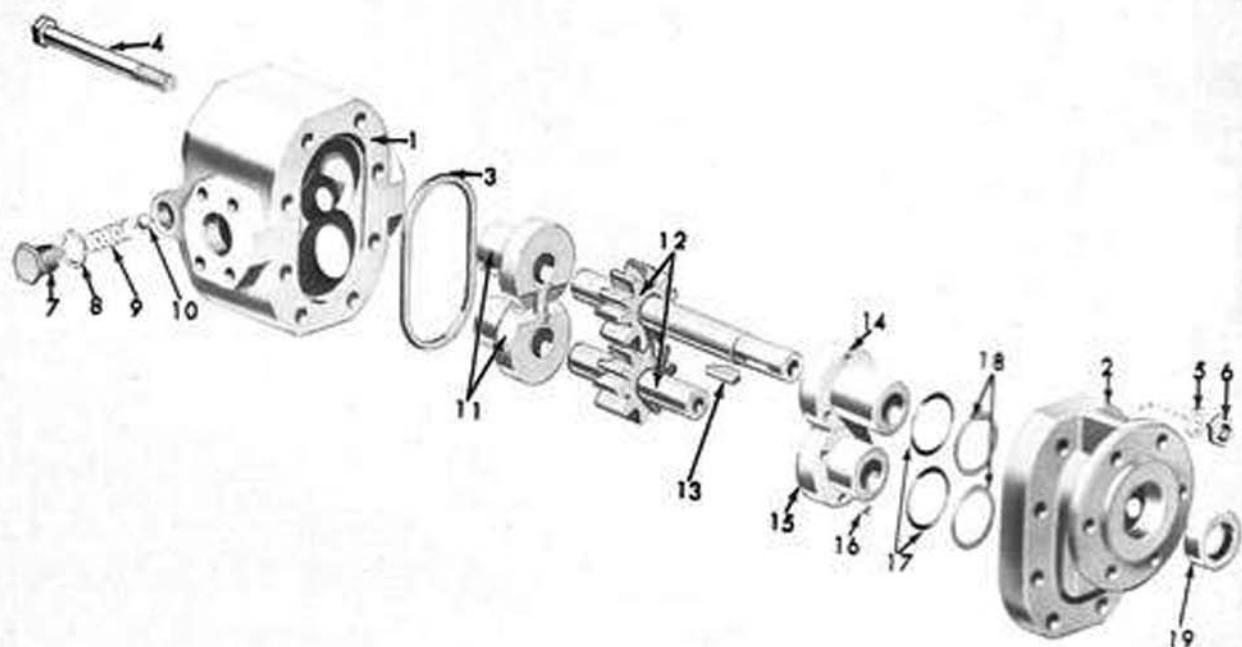


Figure 5 - Hydraulic Gear Pump

FIG. 5	PART NO.	NAME AND DESCRIPTION	QTY. REQ.
		<u>GROUP 1-5 HYDRAULIC GEAR PUMP</u>	
-	108385	PUMP ASSEMBLY, Hydraulic Gear . . . . .	1
		Consists of:	
1	110494	BODY, Pump . . . . .	1
2	111753	COVER, Pump . . . . .	1
3	104290	RING, Seal, Body . . . . .	1
4	302561-S8	BOLT, 7/16 - 1/4 x 4-1/2 )	8
5		1/4-730-S8 WASHER, 7/16 Flat } Body to Cover	8
6		3/4-670-S8 NUT, 7/16 - 1/4 Hex) . . . . .	8
7	103625	RETAINER, Spring . . . . .	1
8	104288	GASKET, Retainer . . . . .	1
9	103624	SPRING, Relief . . . . .	1
10	192844	BALL, Relief . . . . .	1



# Super Duty Loader

FIG. 5	PART NO.	NAME AND DESCRIPTION	QTY. REQ.
<u>GROUP 1-5 HYDRAULIC GEAR PUMP (Cont'd)</u>			
11	111763	BEARING, Body, Matched Set . . . . .	1
12	111762	GEAR, Pump, Matched Set . . . . .	1
13		74185-S KEY, Woodruff, #16, 3/16 x 1.12 . . . . .	1
14	111751	BEARING, Cover, Drive Gear . . . . .	1
15	111750	BEARING, Cover, Driven Gear . . . . .	1
16	110495	SPRING, Cover Bearing . . . . .	6
17		87060-S91 "O" RING, 1.421 x .139 . . . . .	2
18	104291	RING, Back-up . . . . .	2
19	110496	SEAL, Shaft . . . . .	1
 <u>PUMP SPECIFICATIONS</u>  			
	<u>Type</u>	<u>Gear</u>	
	Shaft Size	.812 x 1.56	
	Inlet Port Size	3/4" SAE	
	Outlet Port Size	1-1/4 SAE	
	Capacity	15.5 GPM @ 1600 RPM AND 2000 RPM	

# Super Duty Loader

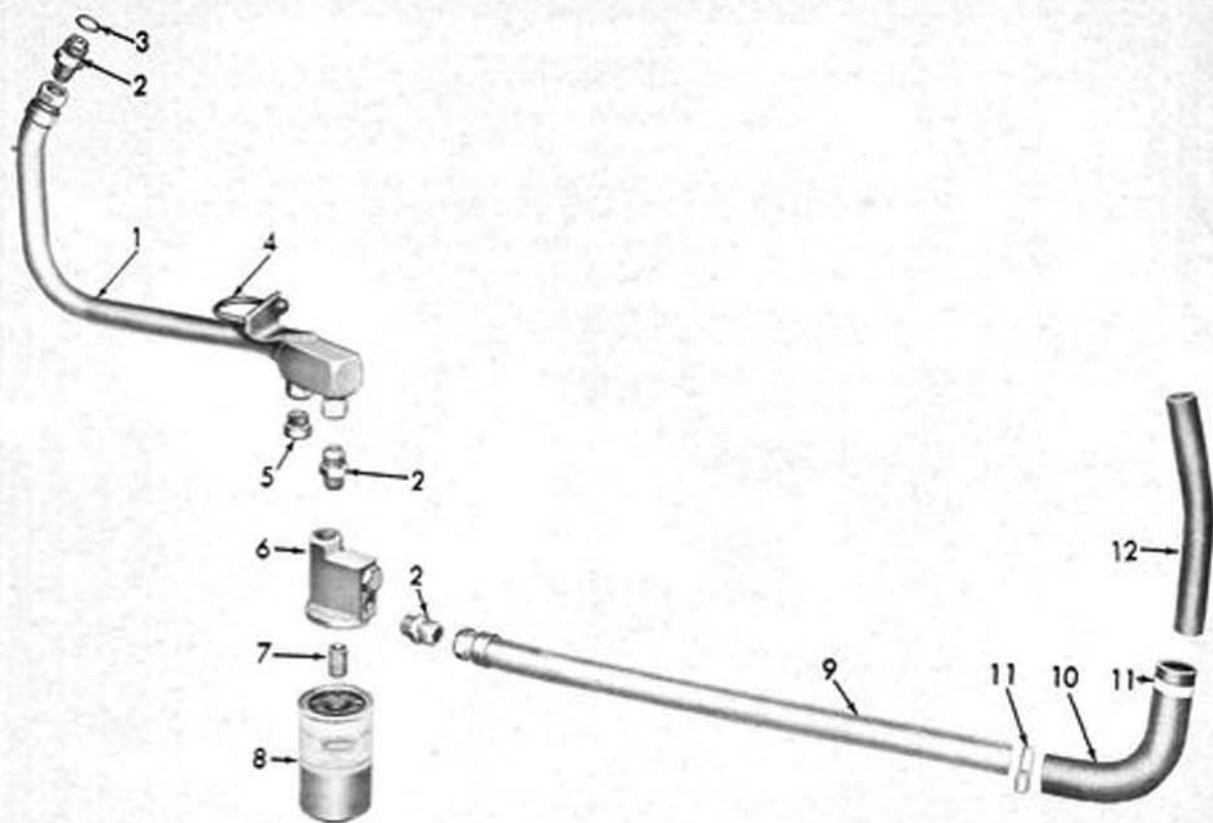


Figure 6 - Filter Lines

FIG. 6	PART NO.	NAME AND DESCRIPTION	QTY. REQ.
<u>GROUP 1-6 FILTER LINES</u>			
1	108421	TUBE, Valve to Filter . . . . .	1
2	108401	ADAPTOR, Male, 1-3/16 - 12 x 3/4 Pipe . . . . .	3
3		87037-S91 "O" RING, .75 x .153 . . . . .	1
4	108425	"U" BOLT, 3/8 - 16 )	1
-		34807-S7 LOCKWASHER, 3/8 ) Tube to Support	2
-		33799-S8 NUT, 3/8 - 16 Hex)	2
5	108417	PLUG, Tube, 1-3/16 - 12 . . . . .	1
6	107697	ADAPTER ASSEMBLY, Filter . . . . .	1
7	107393	NIPPLE, 1 - 12 Pipe, Adapter to Filter . . . . .	1
8	107294	FILTER, Oil . . . . .	1
9	108399	TUBE, Filter to Reservoir . . . . .	1
10	108404	HOSE, Elbow, 1.5 ID . . . . .	1
11	107325	CLAMP ASSEMBLY, Hose . . . . .	2
12	108400	TUBE, Reservoir . . . . .	1

# Super Duty Loader

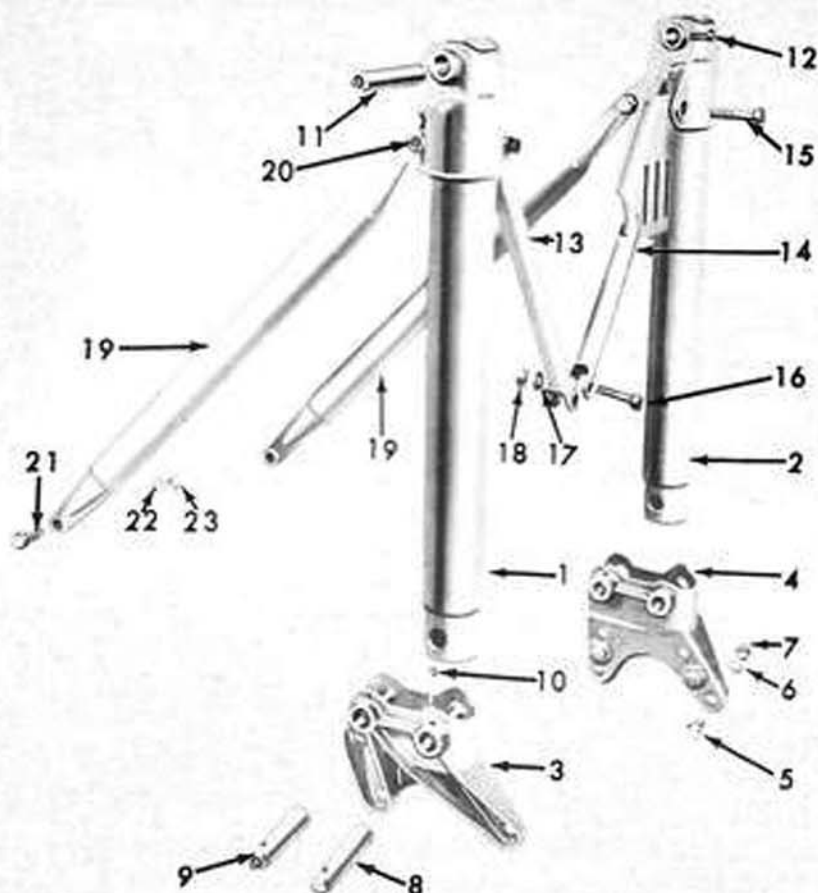


Figure 7 - Frame Parts

FIG. 7	PART NO.	NAME AND DESCRIPTION	QTY. REQ.
<u>GROUP 2-1 FRAME PARTS</u>			
1	108113	POST, Lift Arm, Left . . . . .	1
2	108112	POST, Lift Arm, Right . . . . .	1
3	108119	BRACKET, Post Mounting, Left . . . . .	1
4	108118	BRACKET, Post Mounting, Right . . . . .	1
5	302964-S8	BOLT, 3/4 - 10 x 1-3/4 Hex Hd)	8
6		34813-S7 LOCKWASHER, 3/4 ) Bracket to Tractor	8
7		33674-S8 NUT, 3/4 - 10 Hex )	8
8	108148	PIN, 1.25 x 6.50 Drilled . . . . .	2
9	195733	PIN, 1.25 x 5.75 Drilled . . . . .	2
10		20534-S8 BOLT, 3/8 - 16 x 2-1/4 Hex Hd)	
--		34807-S8 LOCKWASHER, 3/8 ) Pin to Bracket	4
--		33799-S8 NUT, 3/8 - 16 Hex )	
--		87907-S8 FITTING, Lube, 1/4 - 28 x 1/2 Str - 195733 Pin . .	2

# Super Duty Loader

FIG. 7	PART NO.	NAME AND DESCRIPTION	QTY. REQ.
<u>GROUP 2-1 FRAME PARTS (Cont'd)</u>			
11	108147	PIN, 1.25 x 6 Drilled . . . . .	2
--		87907-S8 FITTING, Lube, 1/4 - 28 x 1/2 Str . . . . .	2
12		20534-S8 BOLT, 3/8 - 16 x 2-1/4 Hex Hd )	
--		34807-S8 LOCKWASHER, 3/8 ) Pin to Bracket . . .	2
--		33799-S8 NUT, 3/8 - 16 Hex )	
13	108173	BRACE, Left . . . . .	1
14	108198	BRACE, Right . . . . .	1
15		45842-S BOLT, 3/4 - 10 x 4 Hex Hd - Post )	2
16		45812-S8 BOLT, 3/4 - 10 x 3 Hex Hd - Tractor )	2
17		34813-S7 LOCKWASHER, 3/4 )	4
18		34674-S8 NUT, 3/4 - 10 Hex )	4
19	108145	BRACE, Diagonal . . . . .	2
20		45770-S8 BOLT, 3/4 - 10 x 2 Hex Hd - Post . . . . .	2
21		45798-S BOLT, 3/4 - 10 x 2-1/2 Hex Hd - Tractor . . . . .	2
22	372228-S8	WASHER, .78 x 1.26 x .250 Flat . . . . .	4
23		34454-S8 NUT, 3/4 - 10 Hex Lock . . . . .	4



# Super Duty Loader

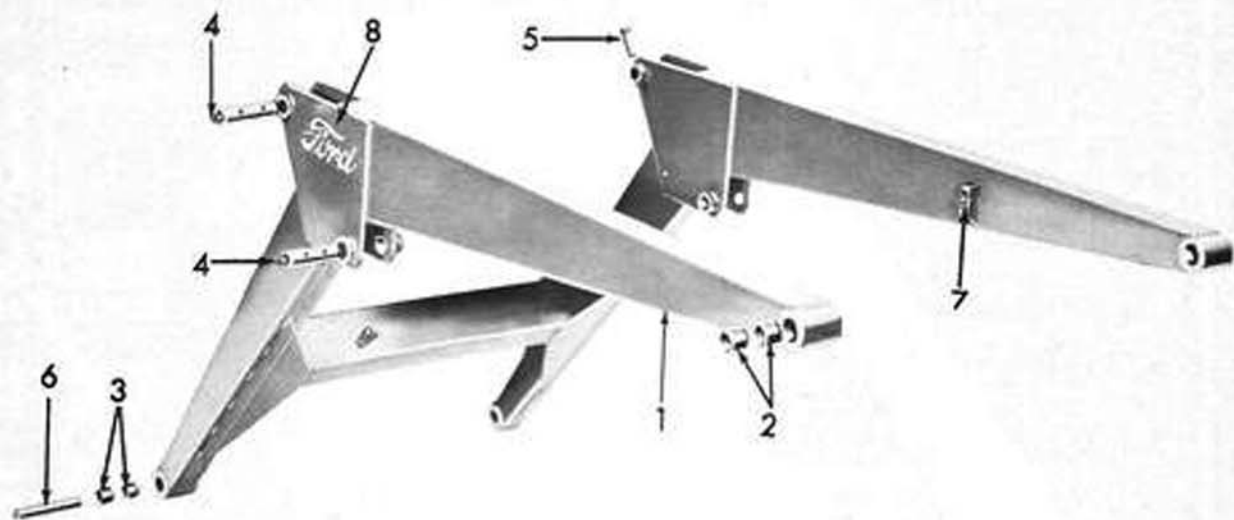


Figure 8 - Lift Arm Parts

FIG. 8	PART NO.	NAME AND DESCRIPTION	QTY. REQ.
<u>GROUP 2-2 LIFT ARM PARTS</u>			
1	108167	ARM, Lift . . . . .	1
Consists of Arm plus items listed below:			
2	108076	BUSHING, 1.26 x 1.5 x 1.12 Steel - Rear . . . . .	4
3	108077	BUSHING, 1.01 x 1.25 x 1.12 Steel - Front . . . . .	4
4	103561	PIN, 1.24 x 5.25 Headless - Cylinders . . . . .	4
-		87907-S7 FITTING, Lube, 1/4 - 28 x 1/2 Str - Pin . . . . .	4
5		20534-S8 BOLT, 3/8 - 16 x 2-1/4 Hex Hd )	4
-		34807-S7 LOCKWASHER, 3/8 ) Pins	4
-		33799-S8 NUT, 3/8 - 16 Hex )	4
6	108146	PIN, 1 x 6 Drilled, Headless - Arm to Bucket . . . . .	2
-		20520-S BOLT, 5/16 - 18 x 2 Hex Hd )	2
-		34806-S7 LOCKWASHER, 5/16 ) Pin	2
-		33797-S8 NUT, 5/16 - 18 Hex )	2
7	102983	CLAMP, Hose . . . . .	4
-		34807-S7 LOCKWASHER, 3/8 )	
-		33799-S8 NUT, 3/8 - 16 Hex ) Tube Attaching	4
8	305238	DECAL, 3-1/4 x 9-5/16 Ford . . . . .	2

# Super Duty Loader

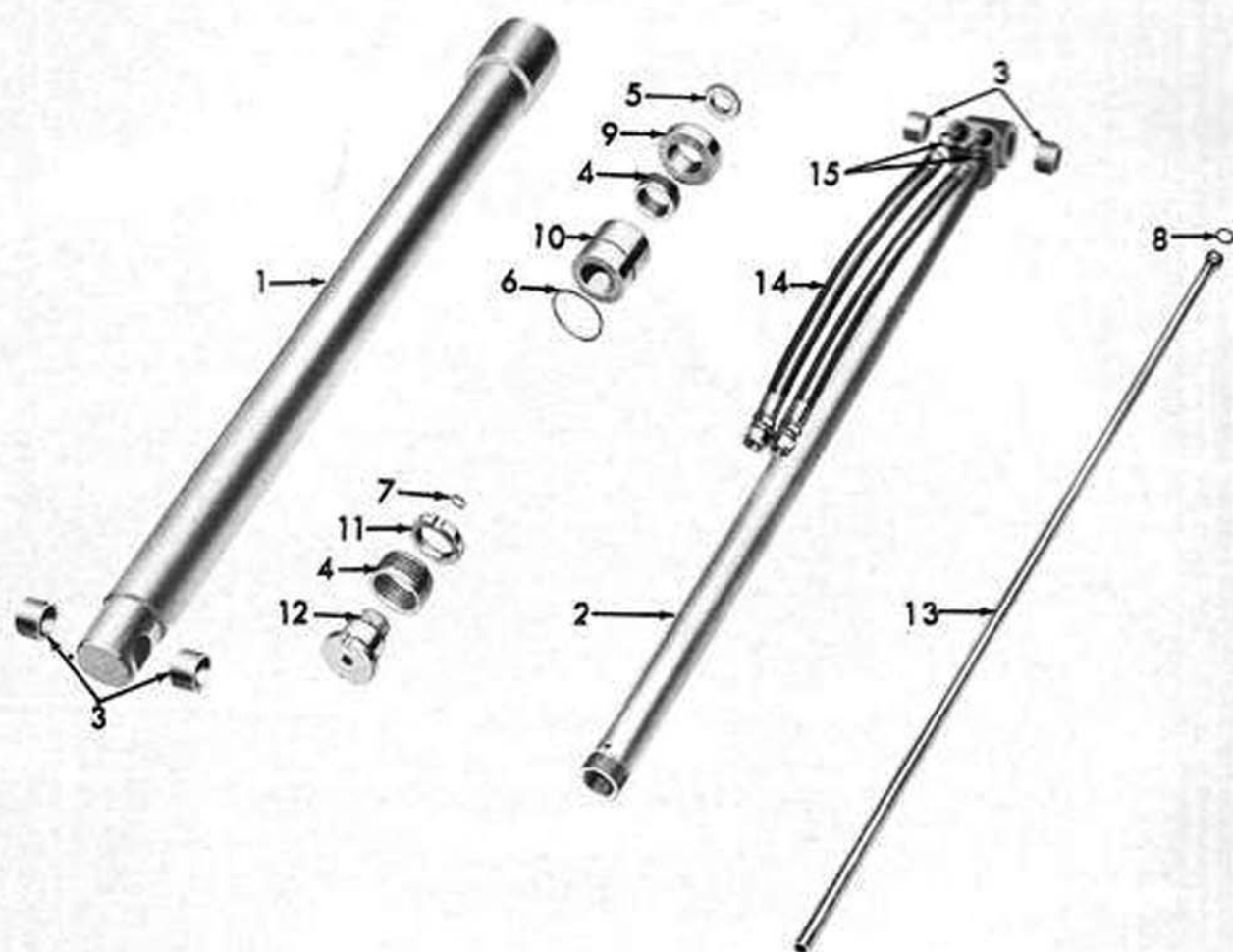


Figure 9 - Lift Cylinder Assembly

FIG. 9	PART NO.	NAME AND DESCRIPTION	QTY. REQ.
		<b>GROUP 3-1 LIFT CYLINDER ASSEMBLY (Double Acting)</b>	
-	108096	BORE: 2.50, Stroke 36.88, Ports 7/8 - 1 1/2 UNF, 3000#PSI CYLINDER ASSEMBLY, Lift . . . . .	2
1	108493	Consists of: TUBE & BUSHING ASSEMBLY . . . . .	1
2	108492	ROD & BUSHING ASSEMBLY . . . . .	1
3	108076	Consists of Tube or Rod plus: BUSHING, 1.26 x 1.5 x 1.12 Steel . . . . .	4

# Super Duty Loader

FIG. 9	PART NO.	NAME AND DESCRIPTION	QTY. REQ.
<u>GROUP 3-1 LIFT CYLINDER ASSEMBLY (DOUBLE ACTING)(Cont'd)</u>			
4	309565	KIT, Cylinder Repair . . . . .	1
Consists of Packing plus:			
5	195280	WIPER, Packing . . . . .	1
6		87074-S91 "O" RING, 2.61 x .139 - Gland . . . . .	1
7		87035-S91 "O" RING, .612 x .103 - Piston . . . . .	1
8		87036-S91 "O" RING, .687 x .103 - Tube . . . . .	1
9	108089	NUT, Packing . . . . .	1
10	108081	GLAND, Cylinder Packing . . . . .	1
11	108080	NUT, Packing . . . . .	1
12	108091	PISTON, Cylinder . . . . .	1
13	108075	TUBE, Oil Inlet . . . . .	1
14	108150	HOSE, Coupling, 7/8 - 14 Both Ends . . . . .	2
15	372219-S91	"O" RING, .755 x .097 Hose . . . . .	2

# Super Duty Loader

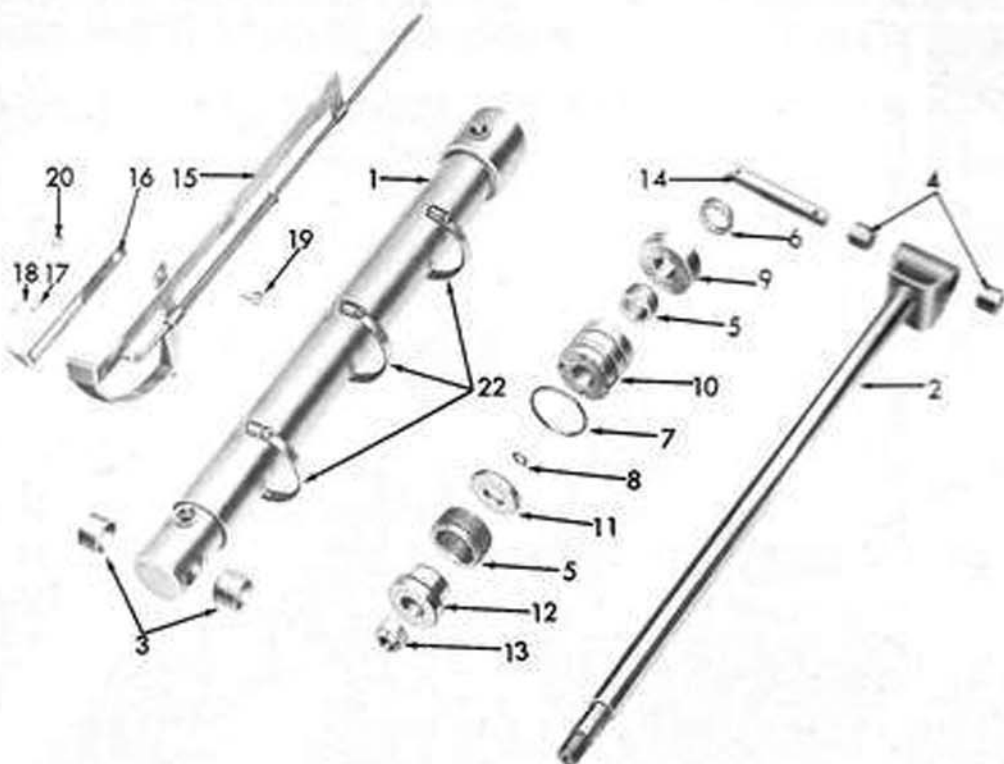


Figure 10 - Bucket Cylinder Assembly

FIG. 10	PART NO.	NAME AND DESCRIPTION	QTY. REQ.
		<b>GROUP 3-2 BUCKET CYLINDER ASSEMBLY (Double Acting)</b>	
		2.50 Bore, 22.37 Stroke, Both Ports, 7/8 - 1 1/4 UNF, 3000#PSI	
-	108098	CYLINDER ASSEMBLY, Bucket . . . . .	2
		Consists of:	
1	108494	TUBE & BUSHING ASSEMBLY . . . . .	1
		Consists of Tube plus:	
2	108076	BUSHING, 1.26 x 1.5 x 1.12 Steel . . . . .	2
3	108491	ROD & BUSHING ASSEMBLY . . . . .	1
		Consists of Rod plus:	
4	108077	BUSHING, 1.01 x 1.25 x 1.12 Steel . . . . .	2
5	309566	KIT, Cylinder Repair . . . . .	1
		Consists of Packing plus:	
6	195279	WIPER, Packing, Rubber . . . . .	1
7		87074-S91 "O" RING, 2.61 x .139 Gland . . . . .	1
8		87035-S91 "O" RING, 1 x .139 - Piston . . . . .	1
9	108090	NUT, Cylinder Packing . . . . .	1
10	108103	GLAND, Packing . . . . .	1
11	195288	STOP, Cylinder . . . . .	1
12	108102	PISTON, Cylinder . . . . .	1
13		34432-S8 NUT, 7/8 - 1 1/4 Hex, Lock . . . . .	1



# Super Duty Loader

FIG. 10	PART NO.	NAME AND DESCRIPTION	QTY. REQ.
		<u>GROUP 3-2 BUCKET CYLINDER ASSEMBLY (Double Acting)(Cont'd)</u>	
14	108146	PIN, 1 x 6 Drilled, Headless - Cylinder to Bucket . . . . .	2
--		20520-S BOLT, 5/16 - 18 x 2 Hex Hd)	
--		34806-S7 LOCKWASHER, 5/16 ) Pin Retaining . . . . .	2
--		33797-S8 NUT, 5/16 - 18 )	
		<u>BUCKET POSITION INDICATOR</u>	
15	114218	INDICATOR, (Welded Assembly) . . . . .	1
16	114224	POINTER, Indicator . . . . .	1
17		44722-S8 WASHER . . . . .	1
18		72016-S8 COTTER PIN . . . . .	1
--	372481-S8	BOLT, 1/4 - 28 x .56 Shoulder . . . . .	1
20		34441-S8 NUT, 1/4 - 28 Lock . . . . .	1
21	4047515	CLAMP ASSEMBLY, Indicator . . . . .	3

# Super Duty Loader

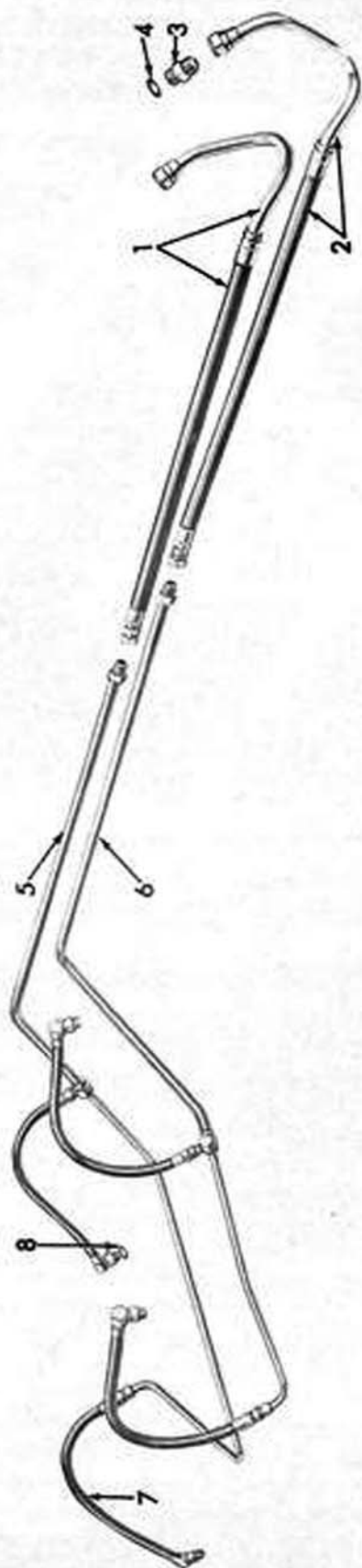


Figure 11 - Bucket Hydraulic Lines

# Super Duty Loader

FIG. 11	PART NO.	NAME AND DESCRIPTION	QTY. REQ.
<u>GROUP 4-1 BUCKET HYDRAULIC LINES</u>			
1	108164	HOSE & Tube, Retracting . . . . .	1
2	108142	HOSE & TUBE, Extending . . . . .	1
3	108201	CONNECTOR, 7/8 - 1 1/4 x 1-3/16 - 12 - Valve . . . . .	2
4	372219-S91	"O" RING, .755 x .097 - Connector to Valve . . . . .	2
5	108157	TUBE, Retracting . . . . .	1
6	108156	TUBE, Extending . . . . .	1
7	114049	HOSE, Coupling, Both Ends - 7/8 - 1 1/4 UNF . . . . .	4
8	372219-S91	"O" RING, .755 x .097 Hose to Cylinder . . . . .	4

# Super Duty Loader

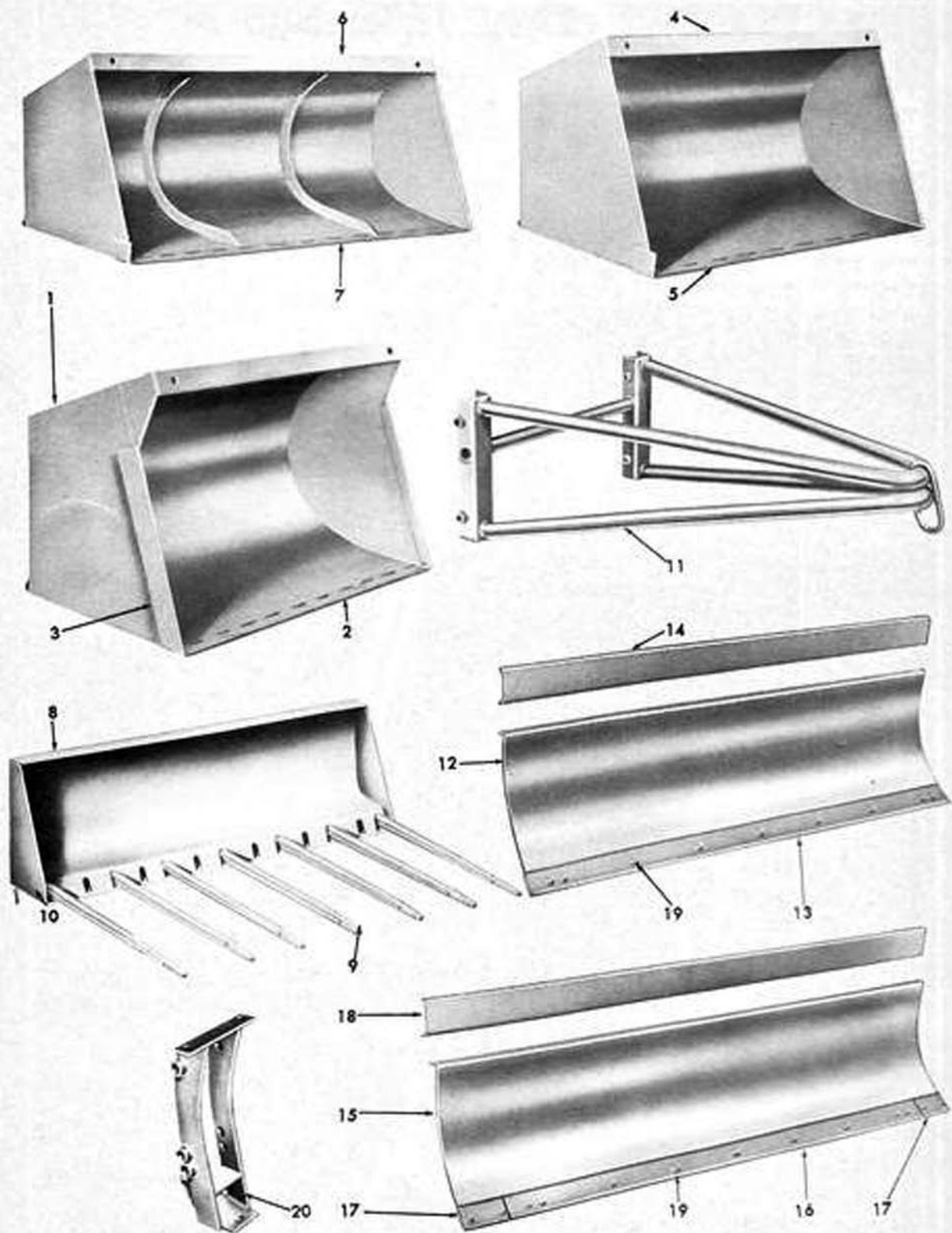


Figure 12 - Buckets



# Super Duty Loader

FIG. 12	PART NO.	NAME AND DESCRIPTION	QTY. REQ.
<u>GROUP 5-1 ATTACHMENTS</u>			
1	19-132	BUCKET, Tread Width, 5/8 Yard . . . . .	1
2	108121	LIP, Bucket . . . . .	1
-	108127	LIP, Bucket, Left . . . . .	1
3	108126	LIP, Bucket, Right . . . . .	1
4	19-133	BUCKET, Tread Width, 3/4 Yard . . . . .	1
5	108172	LIP, Bucket . . . . .	1
6	19-134	BUCKET, Tread Width, 1 Yard . . . . .	1
7	108171	LIP, Bucket . . . . .	1
8	19-135	BUCKET, Manure Fork Type . . . . .	1
9	108717	TINE, Fork . . . . .	7
10		72057-S COTTER PIN, 1/4 x 1-1/4 - Tine . . . . .	7
11	19-136	CRANE, Industrial Loader . . . . .	1
12	19-139	BLADE, 6Universal Dozer, 6Ft . . . . .	1
13	194827	LIP, Cutting . . . . .	1
14	195872	KIT, Top Extension, 6Ft., Dozer Blade . . . . .	1
15	19-140	BLADE, Universal Dozer, 7Ft . . . . .	1
16	194827	LIP, Cutting, Long . . . . .	1
17	195861	LIP, Cutting, Short . . . . .	2
18	108396	KIT, Top Extension, 7Ft, Dozer Blade . . . . .	1
19	300308-S	BOLT, 1/2 - 13 x 1-1/2 Flaw (9 for 19-139)(13 for 19-140))Lip	22
--		34809-S8 LOCKWASHER, 1/2 ) to	22
--		33845-S8 NUT, 1/2 - 13 Hex )Blade	22
--		20510-S8 BOLT, 1/2 - 13 x 1-3/4 Hex Hd) Bracket to Blade	4
--		34809-S7 LOCKWASHER, 1/2 ) (Upper) Part of	4
--		33845-S8 NUT, 1/2 - 13 Hex ) 19-139, 140	4
--	302515-S8	BOLT, 3/4 - 10 x 1-3/4 Carriage) Bracket to Blade	2
--		34813-S7 LOCKWASHER, 3/4 ) (Upper) Part of	2
--		34674-S8 NUT, 3/4 - 10 Hex ) 19-139, 140	2
--		20432-S8 BOLT, 1/2 - 13 x 1-1/4 Hex Hd) Extension to Blade	4
--		34809-S7 LOCKWASHER, 1/2 ) (Part of 108396, 195872)	4
--		33845-S8 NUT, 1/2 - 13 Hex )	4
20	19-141	BRACKET, Dozer Blade Mounting . . . . .	2
<u>EXTRA EQUIPMENT</u>			
--	190033	KIT, Skid Shoe . . . . .	AR
--	19-137	ANGLE ADAPTER, Dozer Blade . . . . .	AR
--	19-138	SPRING RELEASE, Dozer Blade . . . . .	AR

# Super Duty Loader

## NUMERICAL INDEX

102983	Clamp . . . . .	3,5,15	108150	Hose . . . . .	17
103561	Pin . . . . .	15	108156	Tube . . . . .	21
103624	Spring . . . . .	10	108157	Tube . . . . .	21
103625	Retainer . . . . .	10	108164	Hose & Tube . . . . .	21
104288	Gasket . . . . .	10	108165	Tube . . . . .	3,5
104290	Ring . . . . .	10	108167	Arm . . . . .	15
104291	Ring . . . . .	11	108171	Lip . . . . .	23
107221	Plug . . . . .	3	108172	Lip . . . . .	23
107294	Filter . . . . .	3,12	108173	Brace . . . . .	14
107325	Clamp Assy . . . . .	3,9,12	108198	Brace . . . . .	14
107393	Nipple . . . . .	3,12	108201	Connector . . . . .	3,8,21
107697	Adapter Assy . . . . .	3,12	108203	Connector . . . . .	3,5
108075	Tube . . . . .	17	108385	Pump Assy . . . . .	3,8,10
108076	Bushing . . . . .	15,16,18	108396	Kit . . . . .	23
108077	Bushing . . . . .	15,18	108398	Plate . . . . .	3,9
108080	Nut . . . . .	17	108399	Tube . . . . .	3,12
108081	Gland . . . . .	17	108400	Tube . . . . .	3,12
108083	Tube . . . . .	5	108401	Adapter . . . . .	3,12
108084	Tube . . . . .	3,5	108402	Flange . . . . .	3,8
108089	Nut . . . . .	17	108404	Hose . . . . .	3,9,12
108090	Nut . . . . .	18	108406	Gasket . . . . .	3,8
108091	Piston . . . . .	17	108408	Valve . . . . .	2,4,6
108096	Cylinder Assy . . . . .	16	108409	Support . . . . .	2,4
108098	Cylinder Assy . . . . .	18	108412	Pivot . . . . .	2,5
108102	Piston . . . . .	18	108416	Hub Assy . . . . .	3,9
108103	Gland . . . . .	18	108417	Plug . . . . .	3,12
108112	Post . . . . .	13	108418	Pin . . . . .	2,5
108113	Post . . . . .	13	108419	Bushing . . . . .	9
108118	Bracket . . . . .	13	108420	Lever . . . . .	2,5
108119	Bracket . . . . .	13	108421	Tube Assy . . . . .	3,12
108121	Lip . . . . .	23	108422	Tube . . . . .	8
108126	Lip . . . . .	23	108425	U-Bolt . . . . .	3,12
108127	Lip . . . . .	23	108448	Yoke . . . . .	9
108141	Tube . . . . .	3,5	108449	Yoke . . . . .	9
108142	Hose & Tube . . . . .	21	108450	Shaft . . . . .	9
108145	Brace . . . . .	14	108491	Rod & Bushing Assy . . . . .	18
108146	Pin . . . . .	15,19	108492	Rod & Bushing Assy . . . . .	16
108147	Pin . . . . .	14	108493	Tube & Bushing Assy . . . . .	16
108148	Pin . . . . .	13	108494	Tube & Bushing Assy . . . . .	18

# Super Duty Loader

## NUMERICAL INDEX (Cont'd)

108556	Box . . . . .	23	113957	Washer . . . . .	7
108557	Kit . . . . .	23	114049	Hose . . . . .	21
108563	Cap . . . . .	7	114119	Clamp Half . . . . .	3,8
108564	Valve Assembly . . . . .	7	114120	Tube . . . . .	3,8
108565	Washer . . . . .	7	171326	Ring . . . . .	9
108566	Sleeve . . . . .	7	171327	Seal . . . . .	9
108567	Screw . . . . .	7	171329	Cup Assy . . . . .	9
108568	Cap . . . . .	7	171333	Kit . . . . .	9
108569	Valve Assy . . . . .	7	190033	Kit . . . . .	23
108570	Valve Assy . . . . .	7	192844	Ball . . . . .	10
108572	Body . . . . .	7	194343	Block . . . . .	9
108573	Plate . . . . .	6	194827	Lip . . . . .	23
108574	Plug . . . . .	6	195279	Wiper . . . . .	18
108575	Plate . . . . .	7	195280	Wiper . . . . .	17
108576	Spring . . . . .	7	195288	Stop . . . . .	18
108577	Kit . . . . .	6	195733	Pin . . . . .	13
108578	Bolt . . . . .	6	195843	Ball . . . . .	7
108579	Bushing . . . . .	7	195861	Lip . . . . .	23
108580	Screw . . . . .	7	195872	Kit . . . . .	23
108581	Plug . . . . .	7	300138-S	Set Screw . . . . .	3,9
108582	Plug . . . . .	6	300308-S	Bolt . . . . .	23
108585	Washer . . . . .	7	302209-88	Screw . . . . .	2,5
108586	Washer . . . . .	7	302515-88	Bolt . . . . .	23
108587	Washer . . . . .	7	302561-88	Bolt . . . . .	10
108702	Valve Assy . . . . .	7	302964-88	Bolt . . . . .	13
108703	Valve Assy . . . . .	7	305065	Pin . . . . .	7
108717	Tine . . . . .	23	309565	Kit . . . . .	17
110494	Body . . . . .	10	309566	Kit . . . . .	18
110495	Spring . . . . .	11	312777	Element . . . . .	3,9
110496	Seal . . . . .	11	313288	Cap . . . . .	3,5
111206	Plug Assy . . . . .	7	354463-S34	Nut . . . . .	3,9
111750	Bearing . . . . .	11	370509	Ball . . . . .	7
111751	Bearing . . . . .	11	372219-S91	"O" Ring . . . . .	3,6,8,17,21
111753	Cover . . . . .	10	372229-S91	"O" Ring . . . . .	3,5,6
111762	Gear . . . . .	11	305238	Decal . . . . .	15
111763	Bearing . . . . .	11			
113953	Washer . . . . .	7			
113954	Washer . . . . .	7			
113956	Washer . . . . .	7			



